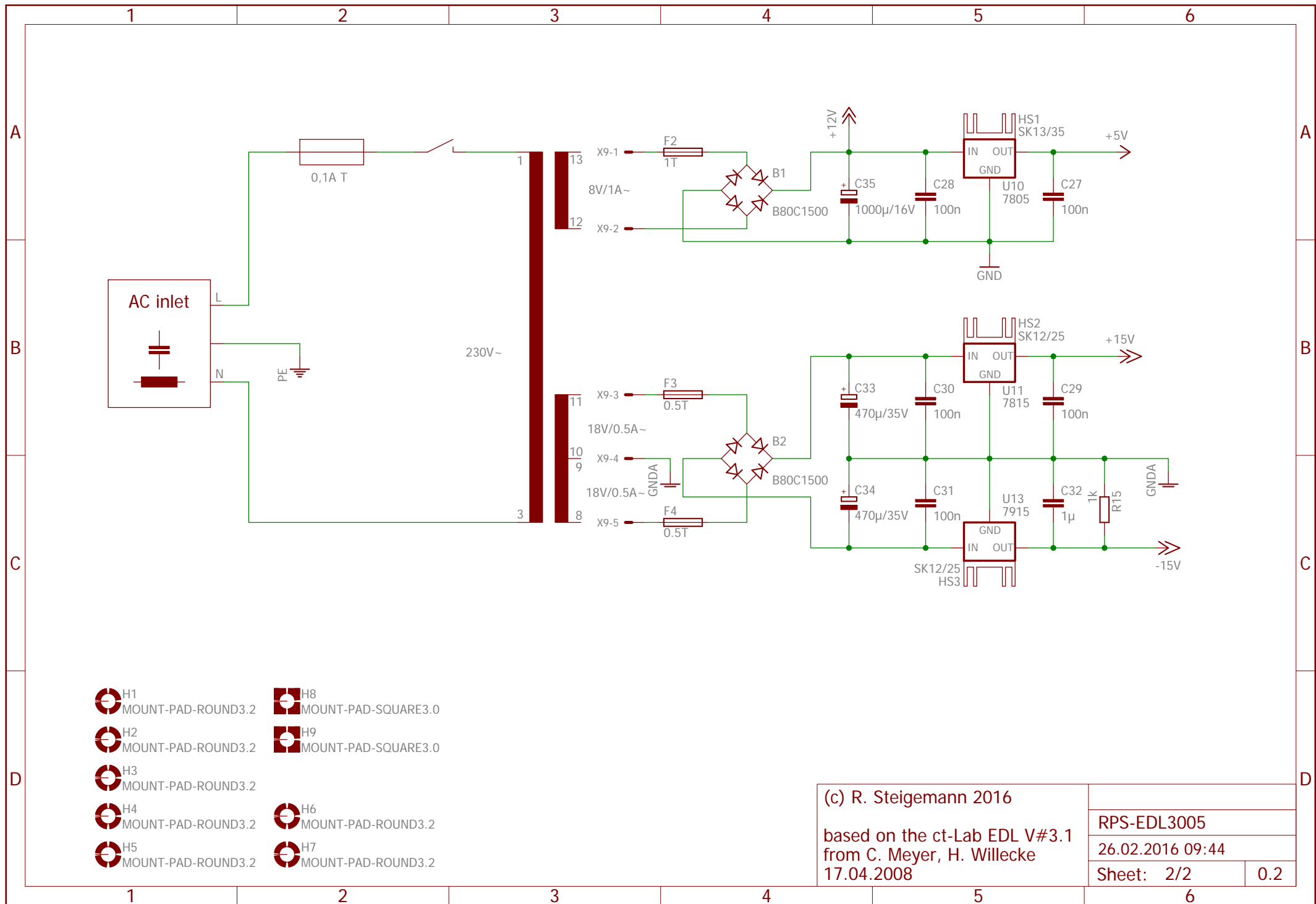


(c) R. Steigemann 2016

based on the ct-Lab EDL V#3.1  
from C. Meyer, H. Willecke  
17.04.2008

|                  |     |
|------------------|-----|
| RPS-EDL3005      |     |
| 26.02.2016 09:44 |     |
| Sheet: 1/2       | 0.2 |



- H1 MOUNT-PAD-ROUND3.2
- H2 MOUNT-PAD-ROUND3.2
- H3 MOUNT-PAD-ROUND3.2
- H4 MOUNT-PAD-ROUND3.2
- H5 MOUNT-PAD-ROUND3.2
- H6 MOUNT-PAD-ROUND3.2
- H7 MOUNT-PAD-ROUND3.2
- H8 MOUNT-PAD-SQUARE3.0
- H9 MOUNT-PAD-SQUARE3.0

(c) R. Steigemann 2016

based on the ct-Lab EDL V#3.1  
 from C. Meyer, H. Willecke  
 17.04.2008

RPS-EDL3005

26.02.2016 09:44

Sheet: 2/2

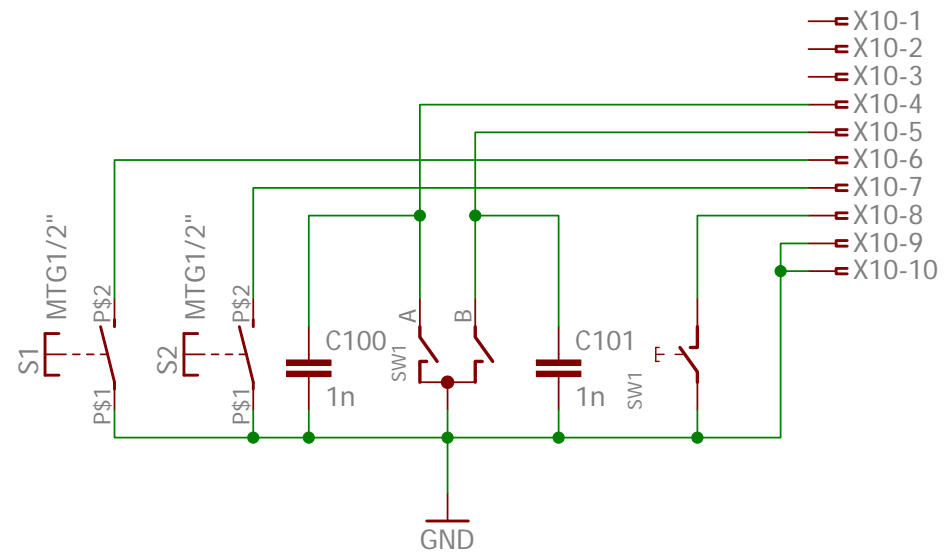
0.2

1 2 3 4

A

H1  
MOUNT-PAD-ROUND2.8  
H2  
MOUNT-PAD-ROUND2.8

B



to EDL main board X6

C

D

(c) R. Steigemann 2016

|                  |  |
|------------------|--|
| RPS-EDL3005_HID  |  |
| 26.02.2016 09:46 |  |
| Sheet: 1/1       |  |

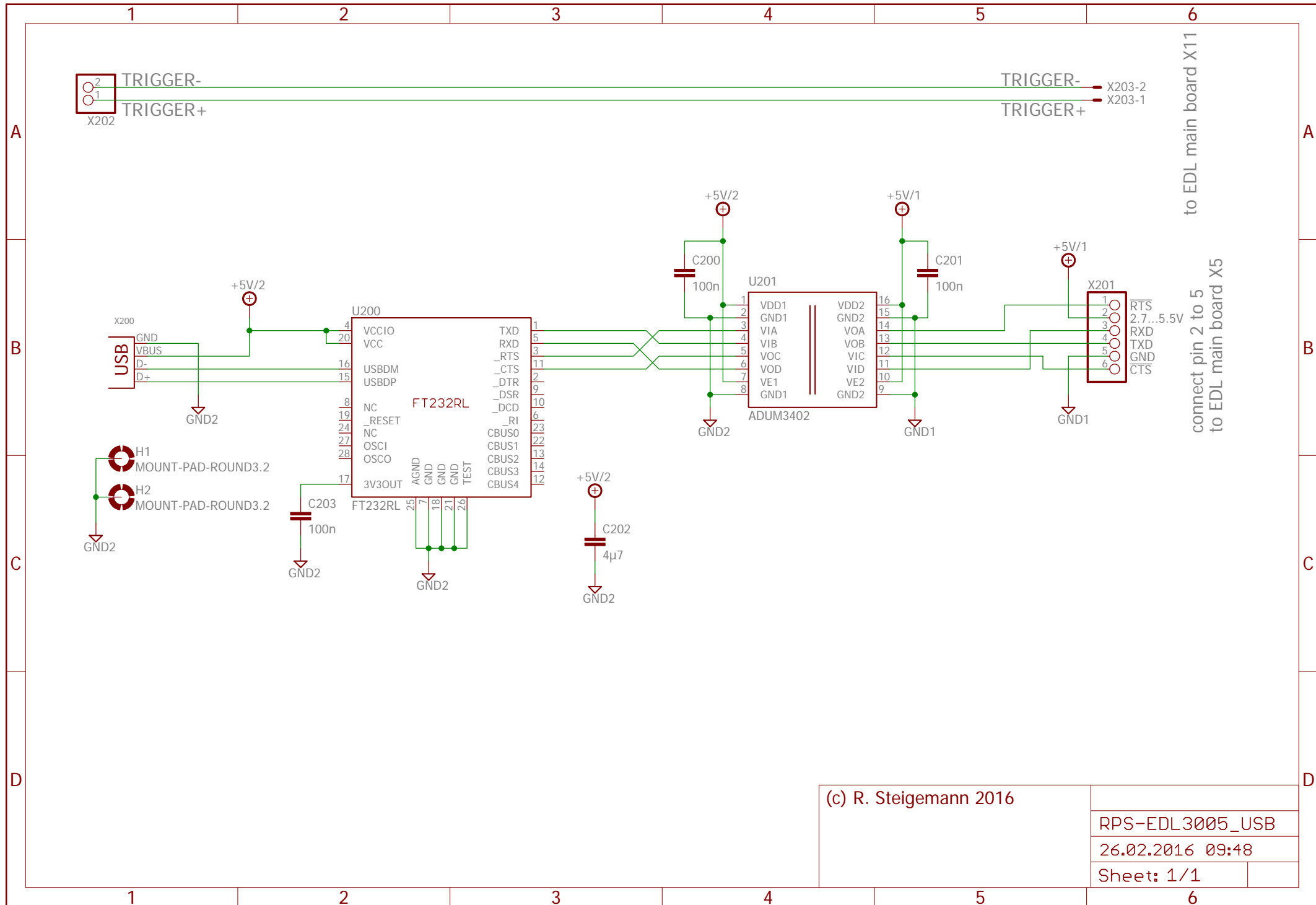
1 2 3 4

A

B

C

D



(c) R. Steigemann 2016

|                  |  |
|------------------|--|
| RPS-EDL3005_USB  |  |
| 26.02.2016 09:48 |  |
| Sheet: 1/1       |  |